



PRODUCT ORDER FORM

10,000 Iota Dr.
San Antonio, TX 78217
Phone: (210) 590-6100
Fax: (210) 590-6884

Date:

Customer:		Sales Order No:	
Purchase Order:		Sales Rep:	
Contact:	Ph.:	A/C Model:	A/C S/N:
Designer:	Ph.:	Instl. Approved: PMA <input type="checkbox"/> STC <input type="checkbox"/> FA <input type="checkbox"/> Other <input type="checkbox"/>	
Deposit Invoice Attn.:	Fax:	Explain Other:	
Billing Address:		FAA Liaison:	
Shipping Address:		A/C Owner:	
Comments:		Terms:	
Ship Via:	Acct No.	Requested Ship Date	Total Price \$

NOTE: Please list line items in Page 3.

COLOR SELECTION (Detailed drawing in page 2)

Frame # *

- Not Visible (Overlay being used)
- Visible
 - 01 Anodized Polished Silver
 - 02 Anodized Satin Silver
 - 03 Anodized Polished Gold
 - 04 Anodized Satin Gold
 - Precious Metal Plating (Please specify below)
 - Other (Please specify below)

Shade Rail/Angle # *

- Same as Frame
- Other (Please specify)

Accent/Deco Strip # *

- Same as Mask
- Other (Please specify)

Mask @

- Not Visible (Overlay being used) Upholstered
- Visible
 - D30 Natural Almond Wilsonart
 - D315 Platinum Wilsonart
 - Other (Please specify)

Shade *

- H7-447 Colonial Blue
- H7-457 Journal
- H7-780 Island Foam
- H7-924 Seal Taupe
- H7-927 Moss Green
- H7-951 Daisy White
- H7-952 Blue White
- H7-953 Linen
- H7-955 Desert Sands
- H7-955 Perfect Pink
- H7-977 Arctic Grey
- H7-989 Bisque
- Painted to Match (Please specify below)

- Inner Lens: 1/8 Outer Lens: 1/16 1/8
- Clear -53 Bronze -5
- Clear -1 Gray -3

H7-952 Blue White shade is used on all custom paint to match customer specified color.

Special Notes Requirements

Reveal:

- Paint to match mask
- Paint to match customer supplied material
- Paint to match other (Please specify)

Precious Metal Plating by: _____

Plating Spec: _____ PO#: _____

Frame: _____

Mask: _____

Reveal: _____

Shade rail: _____

Deco/Accent Strip: _____

Escape Hatch Handles: _____ Paint "PULL": _____

Other: _____

Handle, Knob and screw # *

- Same as Frame
 - Other (Please Specify)
- Stock code: _____

PSM units only:

Bezel # S/C 6225

- Plating (Please specify)

Overlay:

- Gold W Brown S/C 9166
- Silver W Black S/C 9167
- Special Stock Code

PSM units only:

- Standard Anodized Red S/C 9468
- W "PULL" engraved MSA-028-140-0556A S/C 1390
- Precious Metal Plating (Please specify)
- Painted (Please specify) Qty. _____ Override Tool S/C 1018

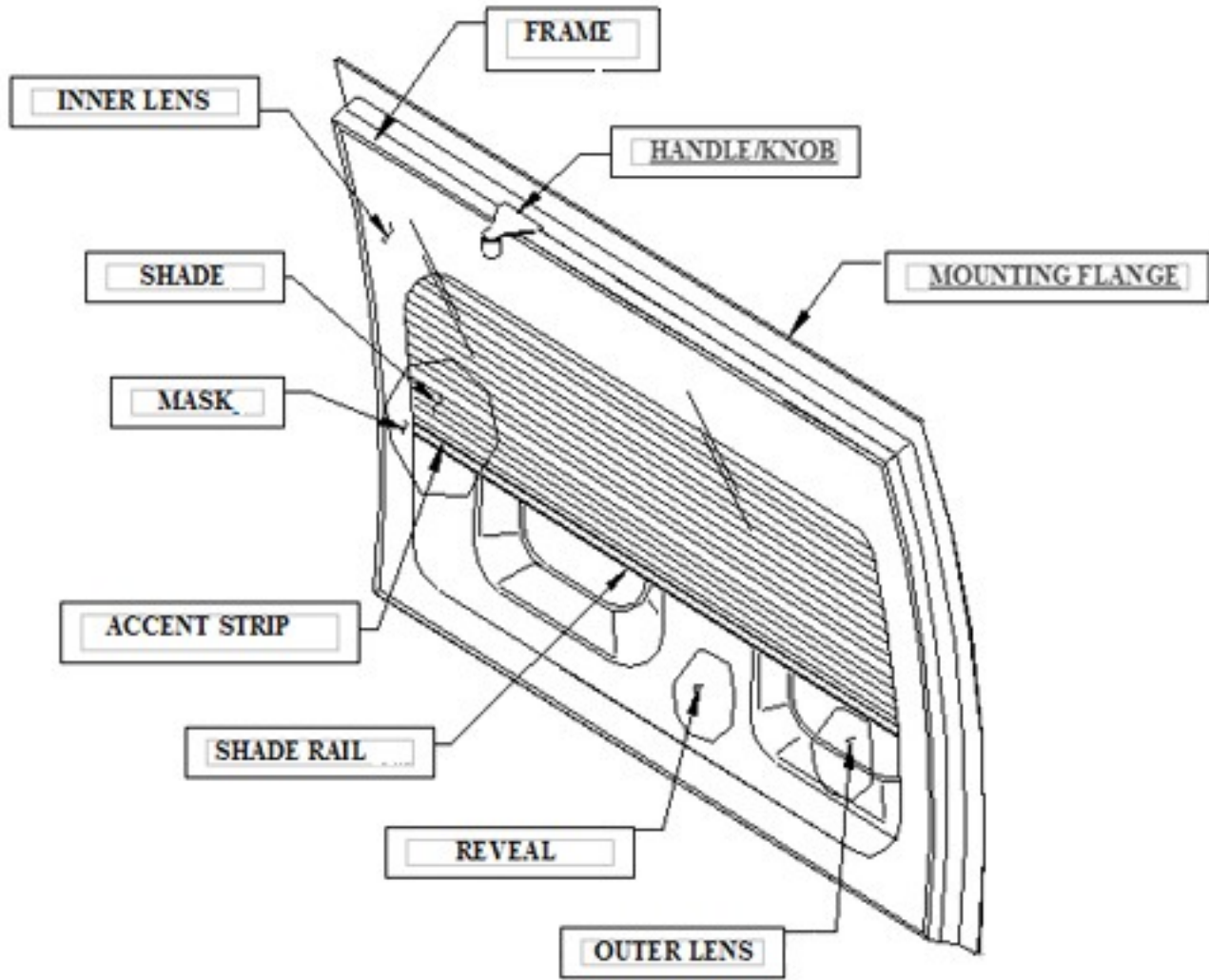
Legend:

- #. Items that can be plated
- @. Items that can be upholstered
- #. Items that can be plated
- *. Items that can be painted



10,000 Iota Dr.
San Antonio, TX 78217
Phone: (210) 590-6100
Fax: (210) 590-6884

Generic ACCORDIA® Window DWG



COLOR SELECTION SHOWING OPTIONS:

- FRAME- Plated, painted or standard anodized material
- MASK- Laminate or upholstered w/ BFE
- INNER LENS- Clear
- OUTER LENS- Clear, Gray or Bronze
- REVEAL- Paint to match supplied sample
- SHADE RAIL- Plated, painted or standard anodized material
- ACCENT STRIP- Plated, painted, upholstered, veneer or faux finish, BFE
- SHADE- Standard H7 color or painted to match supplied sample

Item	Qty.	Stock Code	Part Number	Description	\$ Per Unit
1					
2					
3					
4					
5					
6					
7					
8					
9					
10					
11					
12					
13					
14					
15					
16					
17					
18					
19					
20					
21					
22					
23					
24					
25					
26					
27					
28					
29					
30					
31					
32					
33					
34					
35					
36					
37					
38					
39					
40					
41					
42					